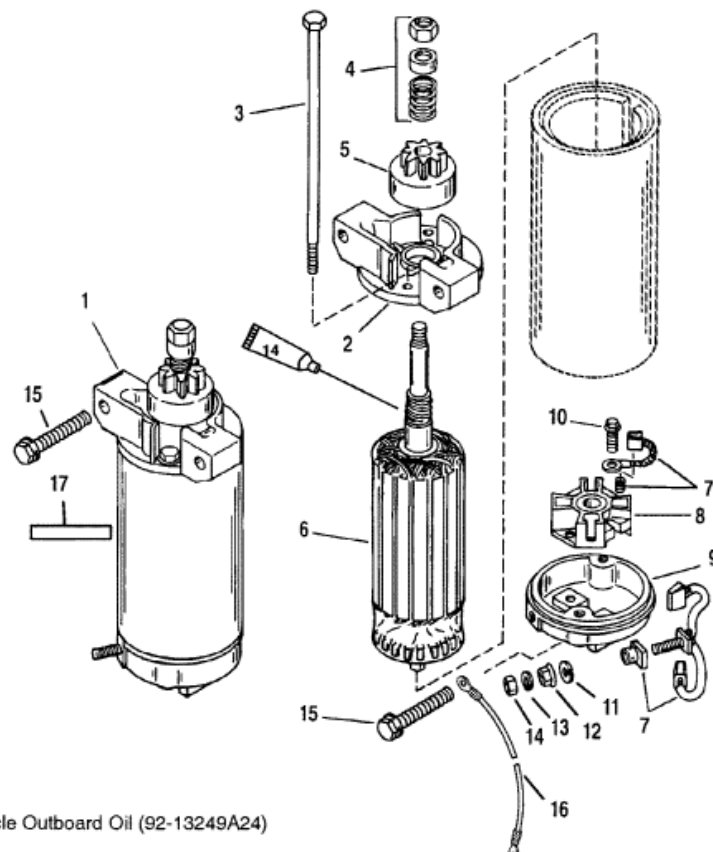


Parts List



Ref	Class	Part	Description	Qty	Comment	Footnote
1	50	833153	2 STARTER MOTOR	1		
2		823639	DRIVE CAP	1		
3	10	823641	THRU BOLT	2		
4		823640	DRIVE KIT	1		
5		86177	PINION	1		
6		823638	ARMATURE	1		
7		75384	BRUSH/SPRING KIT	1		
8		61787	BRUSH HOLDER	1		
9		811901	COMMUTATOR CAP	1		
10		F15158	SCREW	2		
11	13	26992	LOCKWASHER	1		
12	11	20890	NUT (1/4-20)	1		
13	13	26992	LOCKWASHER	2		
14	11	94330	NUT (1/4-20)	2		
15	10	853958	SCREW (5/16-18 X 1-3/4)	3		
16	84	88439A26	BATTERY CABLE (NEGATIVE)	1		
17	37	827282	2 DECAL-WARNING-HIGH VOLTAG	1		